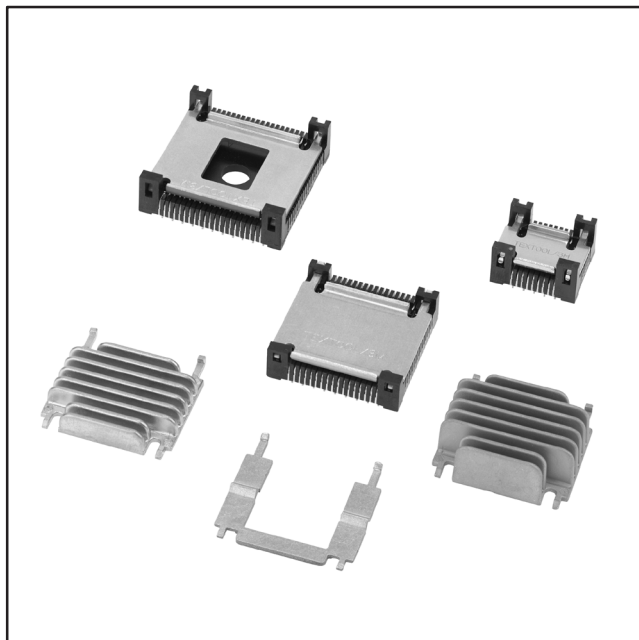


OEM LCC Sockets

32, 68 & 84 Leads



- Accepts JEDEC leadless ceramic chip carriers
- Variety of lid options available only for 68 position
- "U" lid for I.C.E. adaptor I/O cable exit
- Heat Sink available for 68 position
- Polarizing post on bottom of socket
- No tools required for package insertion/removal
- Full contact probe-ability
- High temperature PPS plastic and BeCu contacts for rugged performance

Date Issued: February 22, 2001

TS-0359-06
Sheet 1 of 5

Physical

Insulation

Material: Glass Filled Polyphenylene Sulfide (PPS)
Flammability: UL 94V-0
Color: Black

Contact

Material: Beryllium Copper
Plating: 50 μ " [1.27 μ m] Nickel with Gold Flash in wiping area and solder tails

Lid Material: Aluminum

Marking: Raised Letters: 3M Logo & Part Identification

Electrical

Current Rating: 1 A

Insulation Resistance: > 1 $\times 10^{12}$ Ω at 500 Vdc

Withstanding Voltage: 1000 Vrms at Sea Level

Environmental

Temperature Rating Operating: - 55° C to +105° C

UL File No.: E68080

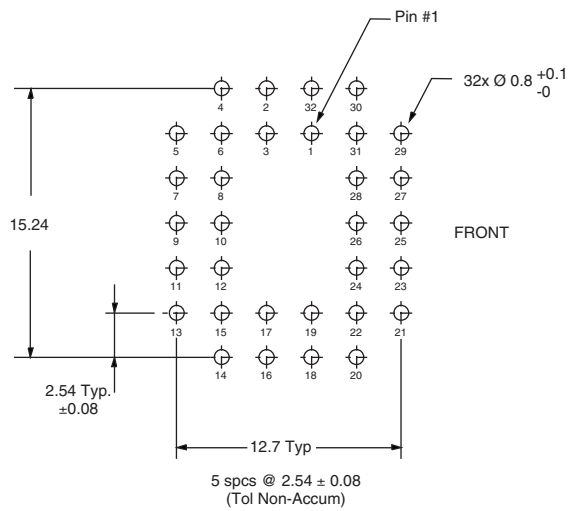
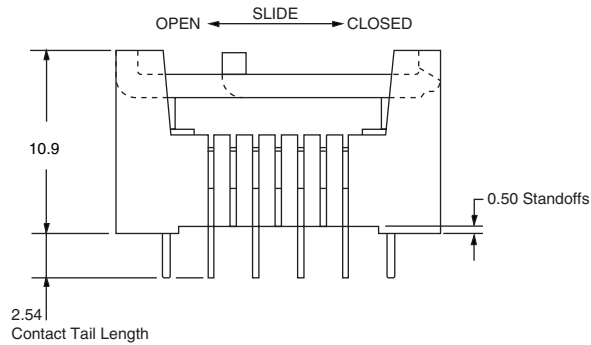
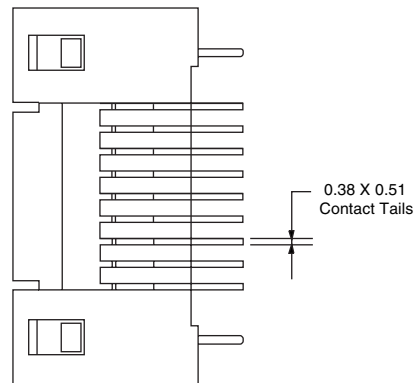
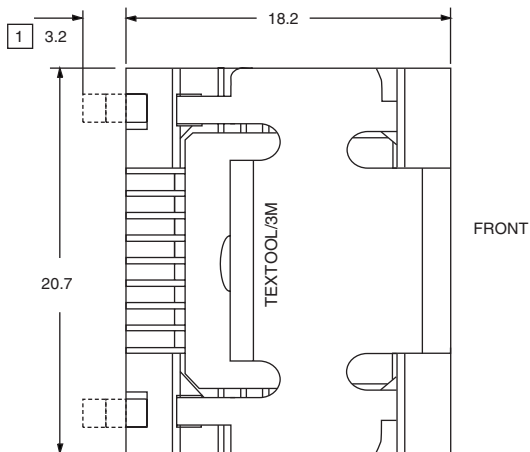
3M Electronic Handling and Protection

6801 River Place Blvd.
Austin, TX 78726-9000

For technical, sales or ordering information call **800-328-0411**
or visit our website: <http://www.3M.com/ehpd>

OEM LCC Sockets

32, 68 & 84 Leads



DIMENSIONS IN MILLIMETERS		
DIM	.0	.00
TOL	±0.25	±0.13

Notes:

1 Clearance required to allow for slide lid.

Ordering Information

Lead Count	Part Number	Description	Device Thickness		
			Length	Width	Thickness*
32	232-1271-00-1102JH	Solid Lid			

*Device Thickness does not include cover.

TS-0359-06
Sheet 2 of 5

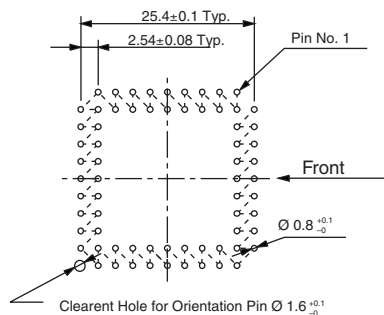
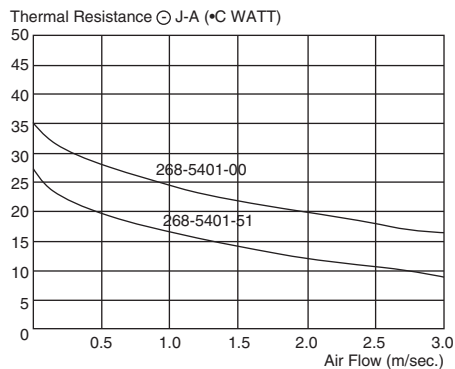
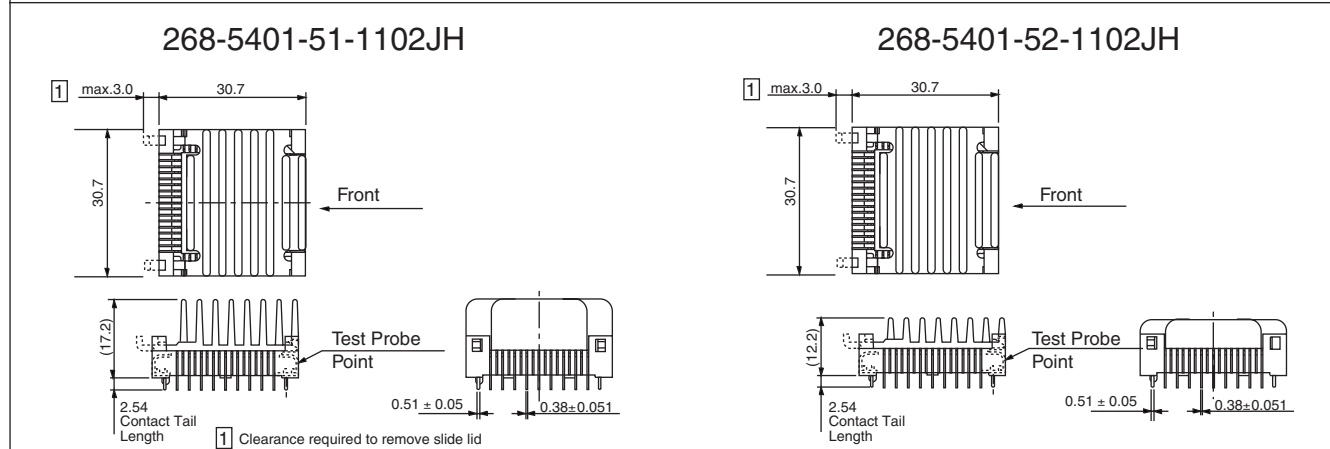
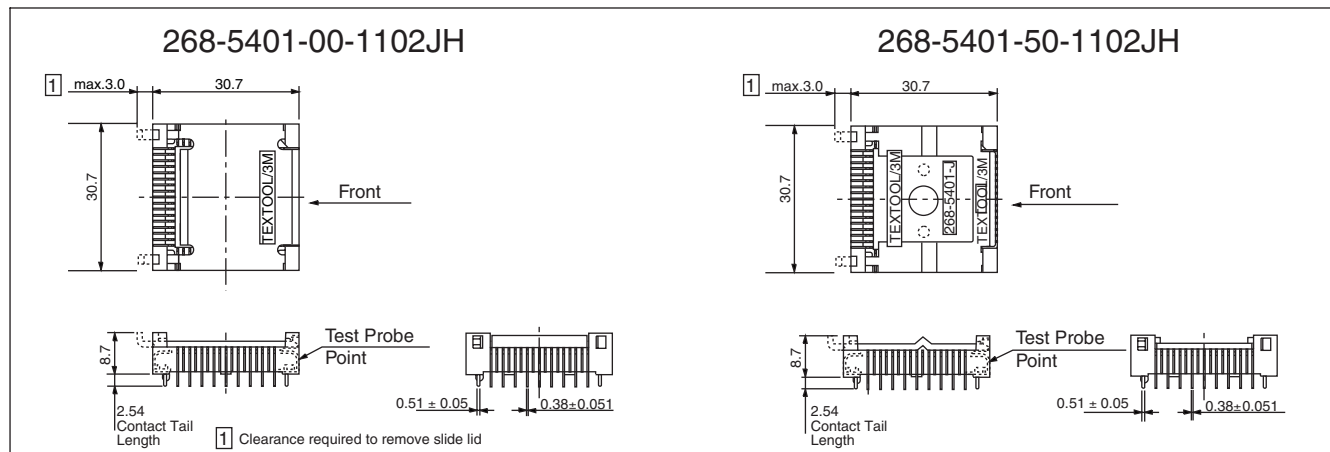
3M Electronic Handling and Protection Division

6801 River Place Blvd.
Austin, TX 78726-9000

For technical, sales or ordering information call **800-328-0411**
or visit our website: <http://www.3M.com/ehpd>

OEM LCC Sockets

32, 68 & 84 Leads



DIMENSIONS IN MILLIMETERS		
DIM	.0	.00
TOL	± 0.25	± 0.13

Ordering Information

Lead Count	Part Number	Description	Applicable Device	
			Body Size	Thickness
68	268-5401-00-1102JH	Chip Carrier-LCC with Full Lid	24.13 ± 0.25	1.52 ± 0.15
68	268-5401-00-0000	Lid - Full	24.13 ± 0.25	1.52 ± 0.15
68	268-5401-11-1102JH	End Use-LCC Type "A" Base Sub-assembly	24.13 ± 0.25	1.52 ± 0.15
68	268-5401-50-0000	Lid-U Shape	24.13 ± 0.25	1.52 ± 0.15
68	268-5401-50-1102JH	Chip Carrier-LCC with U-Shape Lid	24.13 ± 0.25	1.52 ± 0.15
68	268-5401-51-0000	Lid - 11 mm Heat Sink	24.13 ± 0.25	1.52 ± 0.15
68	268-5401-51-1102JH	Chip Carrier-LCC with 11 mm Heat Sink	24.13 ± 0.25	1.52 ± 0.15
68	268-5401-52-0000	Lid - 6 mm Heat Sink	24.13 ± 0.25	1.52 ± 0.15
68	268-5401-52-1102JH	Chip Carrier-LCC with 6 mm Heat Sink	24.13 ± 0.25	1.52 ± 0.15

TS-0359-06
Sheet 3 of 5

3M Electronic Handling and Proteciton Division

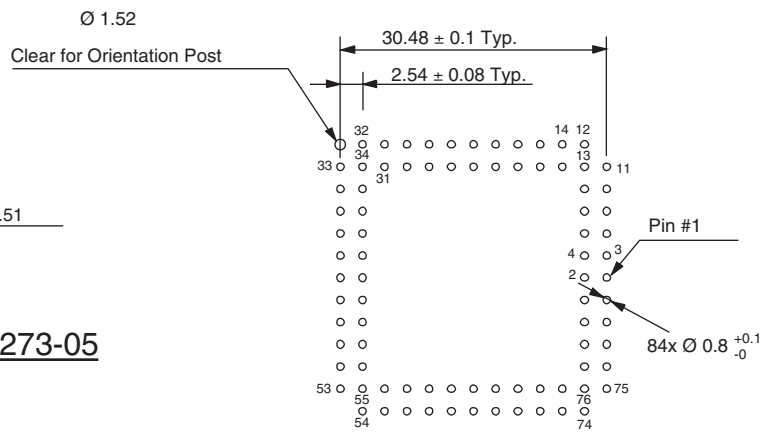
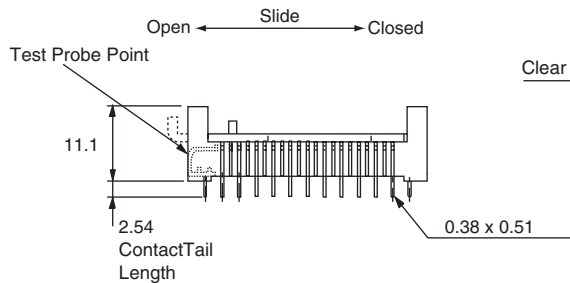
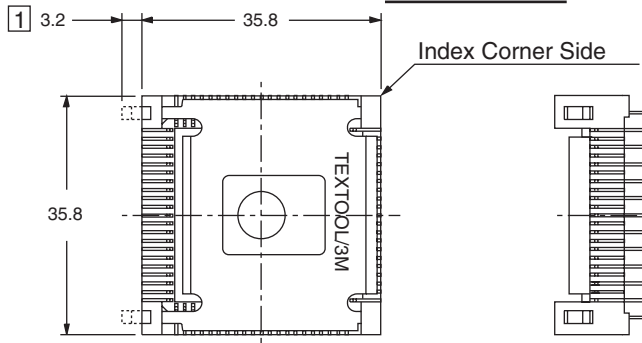
6801 River Place Blvd.
Austin, TX 78726-9000

For technical, sales or ordering information call **800-328-0411**
or visit our website: <http://www.3m.com/ehpd>

OEM LCC Sockets

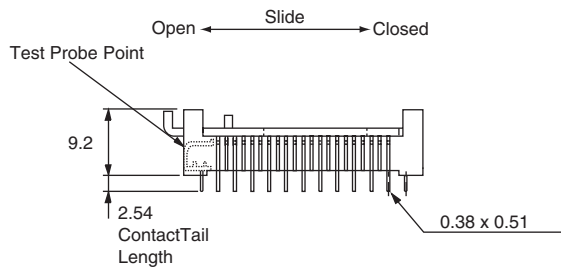
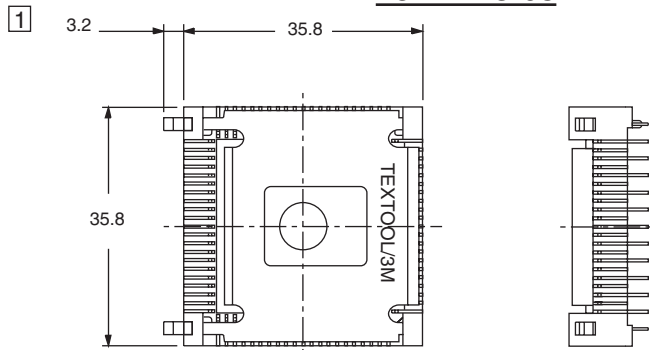
32, 68 & 84 Leads

284-1273-00



P. C. Board Pattern

284-1273-05



Notes:

- 1 Clearance required to remove slide lid.

DIMENSIONS IN MILLIMETERS		
DIM	.0	.00
TOL	±0.25	±0.13

Ordering Information

Lead Count	Part Number	Applicable Device	
		Body Size	Thickness*
84	284-1273-00-1102JH	29.21 ± 0.38 Sq	3.40 ± 0.05
84	284-1273-05-1102JH	29.21 ± 0.28 Sq	1.52 ± 0.05

* Device thickness does not include cover.

TS-0359-06
4 of 5 Sheet

3M Electronic Handling and Protection Division

6801 River Place Blvd.
Austin, TX 78726-9000

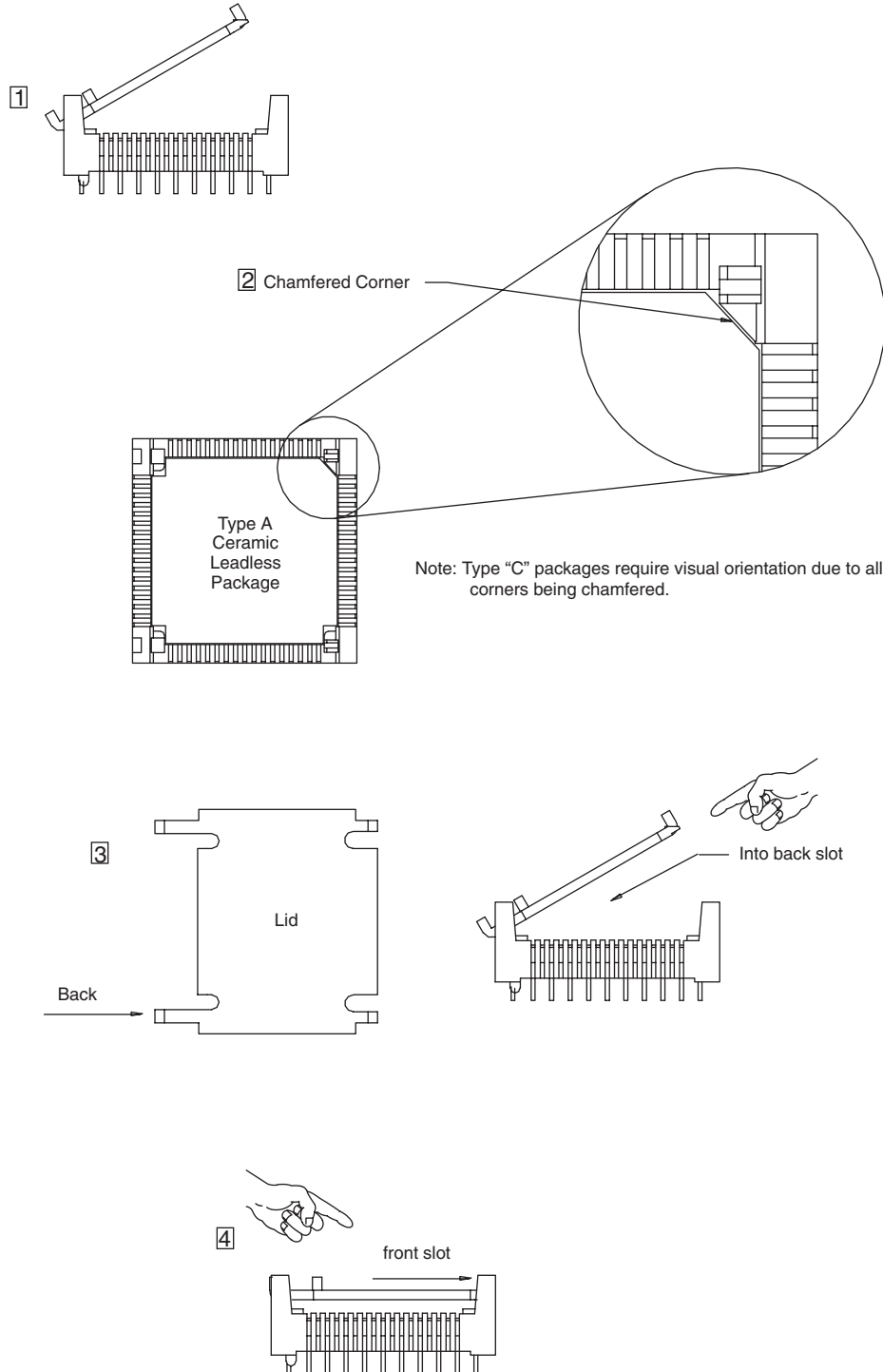
For technical, sales or ordering information call 800-328-0411
or visit our website: <http://www.3M.com/ehpd>

OEM LCC Sockets

32, 68 & 84 Leads

Assembly Instructions:

- 1 Remove Lid from the socket body.
- 2 Insert package into socket with chamfered corners meeting.
- 3 Replace lid by inserting into back slot of socket body.
- 4 While pressing lid down slid forward until fully inserted into front slot of socket body.
- 5 To extract package, slide back and remove lid.



TS-0359-06
Sheet 5 of 5